

ChargePoint® Express 250

Specifications and Ordering Information



Ordering Information

The order codes below represent specific product configurations. Other product options are available. Please contact your Eaton EV solution architect for information and order codes.

Hardware

Description		Order Code	Eaton Catalog Number
Model	Express 250 Station includes 2x Power Modules, 1x CCS1 cable, 1x CHAdeMO cable	CPE250C-625-CCS1-200A-CHD-ETN	E0-000057
	Express 250 Station includes 2x Power Modules, 1x CCS1 cable, 1x CHAdeMO cable, Buy America FTA Compliant	CPE250C-625-CCS1-200A-CHD-FTA-ETN	E0-000059
	Express 250 Station includes 2x Power Modules, 1x CCS1 cable, 1x CHAdeMO cable, Buy America FTA Compliant, Mounted on a dolly with a power receptacle	CPE250C-625-CCS1-200A-CHD-NA-MOBILE-FTA-ETN	E99-T02729

Hardware Accessories

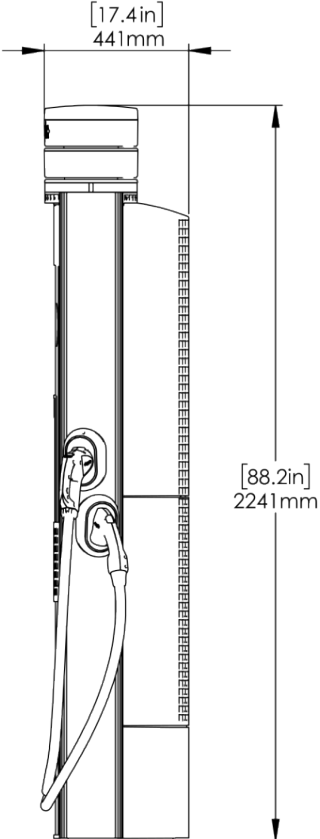
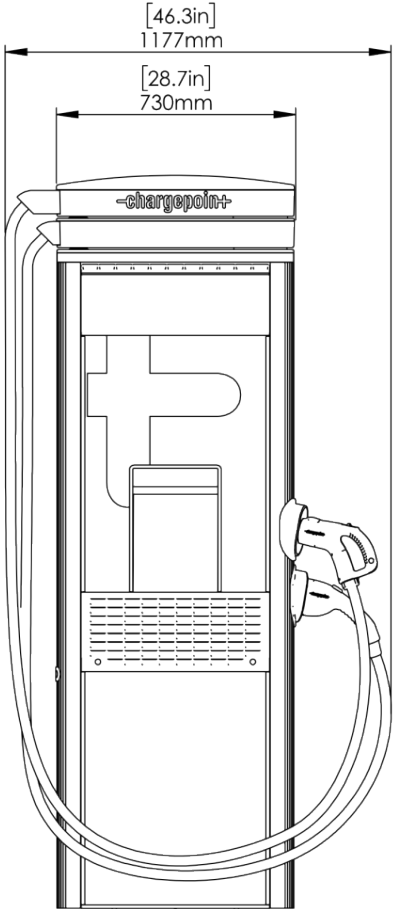
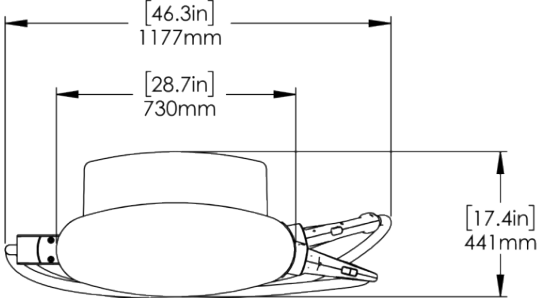
Description		Order Code	Eaton Catalog Number
NACS Hardware Upgrade Kit	Hardware to convert a CHAdeMO cable to a NACS cable or replace an existing NACS cable for an Express 250 station	CPE250-CABLE-NACS-KIT-ETN	E99-002910
NACS Hardware Upgrade Kit with a Cut Resistant Cable	Hardware to convert a CHAdeMO cable to a cut resistant NACS cable or replace an existing cut resistant NACS cable for an Express 250 station	CPE250-CABLE-NACS-CR-KIT-ETN	E99-002764
Cut Resistant CCS Cable	Hardware to upgrade a CCS cable with a cut resistant CCS cable or replace an existing cut resistant CCS cable for an Express 250 station	CPE250-CABLE-CCS1-200A-CR-ETN	E99-002763
Surface Conduit Entry Kit for a Dual Holster Station	CPE250-SCEK-H2 is for above ground conduit installations for a dual holster CPE250 station.	CPE250-SCEK-H2-ETN	E0-000362
Surface Conduit Entry Kit for a Single Holster Station	CPE250-SCEK-H1 is for above ground conduit installations for a single holster CPE250 station.	CPE250-SCEK-H1-ETN	E0-000363
Concrete Mounting Template	Concrete mounting template for bottom cable entry for poured concrete applications	DC-UNIVERSAL-CMT-METRIC-ETN	E99-002865

Software & Services

ChargePoint Express 250 requires the purchase of separate Cloud, Activation and Commissioning services to ensure a smooth deployment and support experience. ChargePoint also offers various support plans such as ChargePoint Assure.®

Architectural Drawings

Note: Images are not to scale. Measurements appear in metric units (mm), followed by imperial equivalents (inches).



General Specifications

Station Electrical Input	
Input Rating	400V AC, 3-phase, 96A, 50 Hz 480Y/277V AC, 3-phase, 80A, 60 Hz
Wiring	L1, L2, L3, Earth
Short Circuit Current Rating	65 kA

Station Electrical Output	
Max Output Power	62.5 kW
Output Voltage, Charging	200–1,000V DC
Max Output Current	156A
Max Modules per Station	2

Paired Station Electrical Output	
Paired Max Output Power	125 kW
Paired Max Output Current	CCS1: 200A North American Charging Standard (NACS): 200A CHAdeMO: 140A

Power Module	
Max Output Power	31.25 kW
Max Output Current	78 A
Power Conversion Efficiency	> 95%
Power Factor	0.99 at full load
Harmonics	iTHD < 5% (Complies with IEEE 519 Requirements)
Power Module Cooling	Liquid Cooling Technology

Functional Interfaces	
Max Connector Types per Station	Up to two different connector types per station
Supported Connector Types	CCS1 (SAE J1772™ Combo), NACS, CHAdeMO
Cable Length with Swing Arm*	Full Horizontal Reach: 4.27m (14')
LCD Display	Full-color 254 mm (10 in) display for driver interaction
Top Display	Full-color 508 mm (20 in) LED display for notifications
Authentication	RFID: ISO 15693, ISO 14443, NEMA EVSE 1.2-2015 (UR) Tap to Charge (NFC on Apple & Android): 15118-2 (EIM) Remote: Mobile and in vehicle (if supported by vehicle)

*Horizontal reach to typical vehicle charging port: 3.76 (12'4")

Connectivity Features	
Vehicle Safety Communication	CCS1 – SAE J1772 over PLC and CHAdeMO – JEVS G104 over CAN
Plug-Out Detection	Power terminated per SAE J2931 (CCS1) and JEVS G104 (CHAdeMO)
Local Area Network	2.4 GHz and 5 GHz WiFi (802.11 b/g/n)
Wide Area Network	4G LTE (fall back to 3G GSM)
Supported Communication Protocols	OCPP 2.0.1
Service and Maintenance	Remote system monitoring, diagnostic, and proactive maintenance

Safety and Operational Ratings	
Station Enclosure Rating	Type 3R, IP54
Station Impact Rating	IK10
Safety and Compliance	UL and cUL listed: complies with UL 2202, UL 2231-1, UL 2231-2, CSA 107.1 NTEP/CTEP
Station Surge Protection	Tested to IEC 6100-4-5, Level 5 (6 kV @ 3,000A). In geographic areas subject to frequent thunderstorms, supplemental surge protection at the service panel is recommended.
EMC Compliance	U.S.: FCC part 15 Class A
Storage Temperature	-40°C to 50°C (-40°F to 122°F)
Operating Temperature	-40°C to 50°C (-40°F to 122°F)
Operational Altitude	<3,000 m (<9,800 ft)
Operating Humidity	Up to 95% @ 50°C (122°F) non-condensing

Generic Specifications	
Station Enclosure Dimensions	2,241 mm H x 730 mm W x 441 mm D (7'4" x 2'5" x 1'5")
Power Module Dimensions	760 mm H x 430 mm W x 130 mm D (2'6" x 1'5" x 5")
Station Weight (without Power Modules)	250 kg (551 lb)
Power Module Weight	45 kg (98.5 lb)
Standard Warranty	Limited 2-Year Parts Warranty

Energy Management Features	
Dynamic Power Management	Allows a fixed maximum power output per station or lets the system dynamically manage the power distribution per station
Remote Energy Management	Manage output power via the ChargePoint Admin Portal, API, and Open ADR 2.0b VEN



Eaton
1000 Eaton Boulevard
Cleveland, OH 44122
United States
Eaton.com

©2026 Eaton
All Rights Reserved
Printed in USA

Publication No. TD192010EN
March 2026

Let's get started, learn more by visiting
Eaton.com/evchargers

Eaton is a registered trademark.

All other trademarks are property
of their respective owners.

Follow us on social media to get the latest
product and support information.



CHARGEPOINT is a trademark of ChargePoint, Inc.