

ChargePoint® CPH50 Home Flex

Specifications and Ordering Information



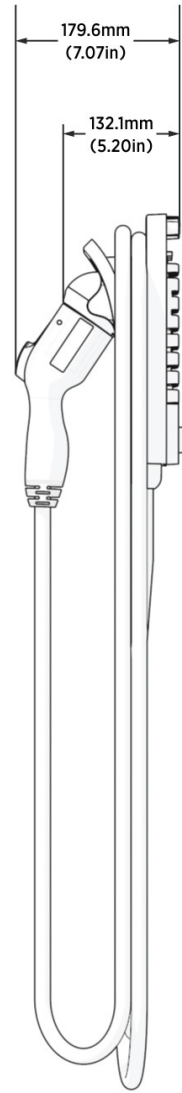
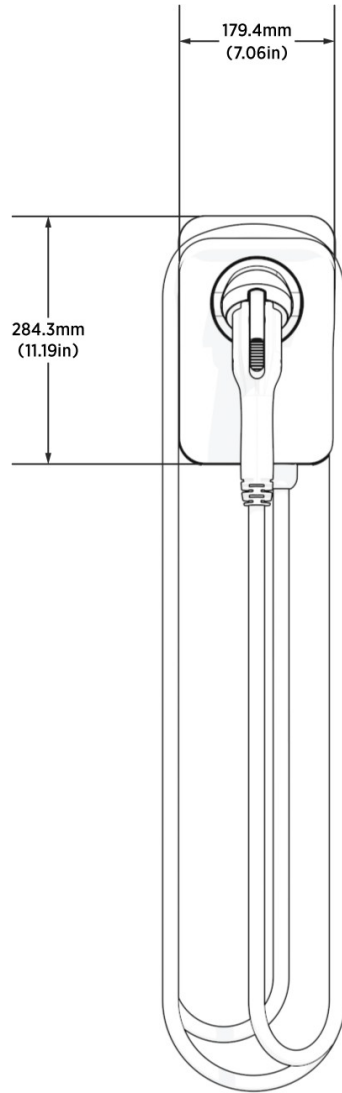
Ordering Information

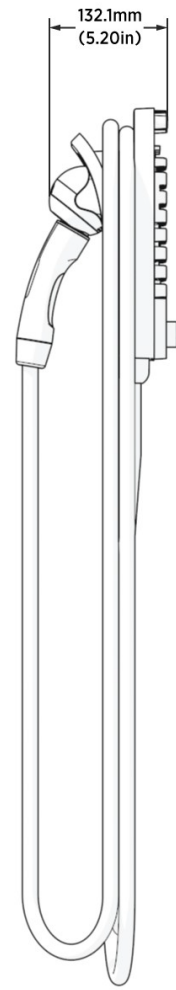
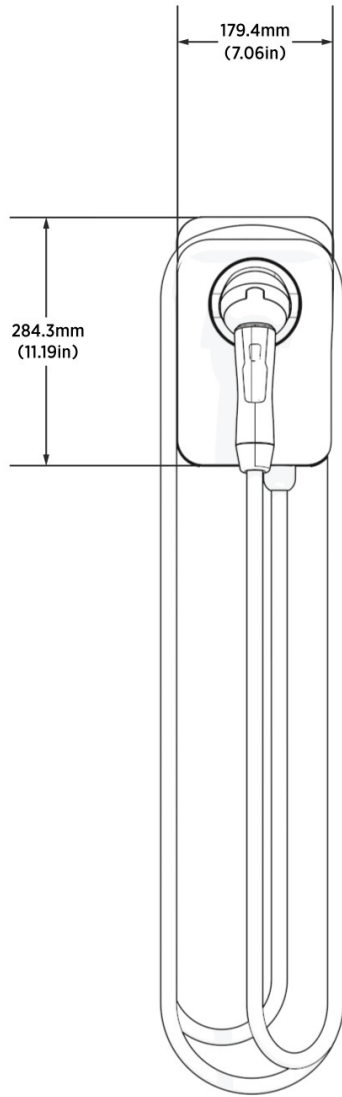
The order codes below represent specific product configurations. Other product options are available. Please contact Eaton EV solution architect for information and order codes.

Hardware

Description		Order Code	Eaton Catalog Numbers
Station and Cable Model	CPH50, NA, AC Station, 1 x J1772, 50A, 1 Phase, 23 ft Cable, Wall Mount, Wi-Fi/BT, UL, 3 YR Parts Warranty, NEMA 6-50	CPH50-NEMA650-L23-K-ETN	E99-003813
	CPH50, NA, AC Station, 1 x J1772, 50A, 1Phase, 23 ft Cable, Wall Mount, Wi-Fi/BT, UL, 3 YR Parts Warranty, Hardwire	CPH50-NEMA1450-L23-K-ETN	E99-003812
	CPH50, NA, AC Station, 1 x NACS, 50A, 1Phase, 23 ft Cable, Wall Mount, Wi-Fi/BT, UL, 3 YR Parts Warranty, NEMA 6-50	CPH50-HARDWIRE-L23-K-ETN	E99-003909
	CPH50, NA, AC Station, 1 x NACS, 50A, 1Phase, 23 ft Cable, Wall Mount, Wi-Fi/BT, UL, 3 YR Parts Warranty, NEMA 14-50	CPH50-NEMA1450-L23-NACS-K-ETN	E99-003919
	CPH50, NA, AC Station, 1 x NACS, 50A, 1Phase, 23 ft Cable, Wall Mount, Wi-Fi/BT, UL, 3 YR Parts Warranty, Hardwire	CPH50-HARDWIRE-L23-NACS-K-ETN	E99-003920
Replacement cable	J1772 23 ft Replacement Charging Cable	CPXCABLE-T1-50A-L23-F	E99-004606
NACS Conversion Kit	NACS Self Install Conversion Kit for CPH50. 23 ft 50A NACS Charging Cable for CPH50 and NACS holster ball insert.	CPHCABLE-50A-L23-NACS-KIT-ETN	E99-004617

Architectural Drawings (Dimensions)





General Specifications

Connector and Electrical

Input Cord	NEMA 6-50, NEMA 14-50, or Hardwire
AC Power Output Rating	Maximum 12 kW (240V AC * 50A). Output amperage adjustable via mobile app to 16A, 24A, 32A, 40A, 48A, 50A. Note: NEMA models are limited to an output amperage of 32A or 40A.
AC Power Input Rating	208/240V AC 60 Hz single phase @ 16A, 24A, 32A, 40A, 48A, 50A. Note: NEMA models are limited to an input rating of 32A or 40A.
Required Service Panel Breaker	Dedicated Dual Pole rated for 125% of maximum load (ex: 50A breaker for 40A output) Note: NEMA models are limited to a breaker rating of 40A or 50A.
Service Panel GFCI	External GFCI may conflict with internal GFCI (CCID). For hardwired installations, use a non-GFCI circuit breaker.
Power Wiring	3 Wire – L1, L2 plus Earth (no neutral)
Charging Cable Length	23 ft (7010.4 mm)
Connector Type	SAE J1772™, SAE J3400 (NACS)
Power Measurement Accuracy	+/- 2.0% from 2% to full scale
Power Report/Store Interval	15 minutes aligned to hour

Safety and Connectivity Features

Ground Fault Detection	20 mA CCID with auto retry
Open Safety Ground Detection	Continuously monitors presence of safety (green wire) ground connection
Plug-Out Detection	Power terminated per SAE J1772 specifications
Local Area Network	2.4/5 GHz WiFi (802.11 a/b/g/n)
Device Storage	Local data storage with capacity of up to 90 days of charging session data (100 sessions) in case of interrupted network connection
Software Updates	Firmware updated over-the-air (OTA)
Charge Port Open Function (NACS only)	Button on charge cable handle will open NACS charge port door.

Safety and Operational Ratings

Station Enclosure Rating	Type 3R per UL 50E
Safety and Compliance	UL and cUL listed; complies with UL2594, UL2231-1, UL2231-2. NEC article 625 compliant. For Canada CSA C22.2, No. 280, 281.1, 281.2, CEC
EMC Compliance	FCC Part 15 Class B
Storage Temperature	-40°C to 60°C (-40°F to 140°F) ambient
Operating Temperature	-30°C to 50°C (-22°F to 122°F) ambient
Operating Humidity	Up to 95% at 50°C (122°F) non-condensing
Non-Operating Humidity	Up to 95% at 50°C (122°F) non-condensing
ENERGY STAR® Certification	Yes

Indicators

WiFi LED	Yes
Fault Indicator per UL	Yes
Status LED	Yes

Installation

Install Software	Mobile App (iOS & Android)
Outdoor Installation	Hardwired installation or weatherproof NEMA receptacle Note: Required by code to install an outdoor rated GFCI breaker upstream for outdoor plug-in installation
Weight	6.3 kg (13.8 lb)

ChargePoint, Inc. reserves the right to alter product offerings and specifications at any time without notice and is not responsible for typographical or graphical errors that may appear in this document.



Eaton
1000 Eaton Boulevard
Cleveland, OH 44122
United States
Eaton.com

©2025 Eaton
All Rights Reserved
Printed in USA

Publication No. TD191046EN
March 2026

Let's get started, learn more by visiting
Eaton.com/evchargers

Eaton is a registered trademark.

All other trademarks are property
of their respective owners.

Follow us on social media to get the latest
product and support information.



CHARGEPOINT is a trademark of ChargePoint, Inc.