

# ChargePoint® Express Solo

One platform, infinite possibilities



---

ChargePoint, Inc. reserves the right to alter product offerings and specifications at any time without notice, and is not responsible for typographical or graphical errors that may appear in this document.

# Express Solo Specifications

## Electrical

Input Voltage Rating	3-phase, 400Y VAC, 50 Hz		
Max Output Power, 400 VAC	350 kW Paired: 500 kW	500 kW	525 kW Paired: 625 kW, 750 kW
Input Current Rating	542 A	789 A	809 A
Wiring	L1, L2, L3		
Short Circuit Current Rating	100 kA		
Output Voltage, Charging	100 to 1000 VDC		
CCS2 Output Current*	Option 1: 800 A ,1000 A peak with liquid cooled cable Option 2: 400 A, 600 A peak		
Power Conversion Efficiency	Up to 97%		
Power Factor	0.99 at full load		
Harmonics	iTHD < 5% (Complies with IEEE 519)		
Standby Power	60W		
Bidirectional energy flow	Hardware ready		
Power Allocation Increments	43 ~ 125 kW Paired: 50 ~ 125 kW		

\*Megawatt charging system (MCS) available upon request

## Functional Interfaces

LCD Display	Full color 381 mm (15 in) interactive display with full motion video, UV protection and multi-language support
Indicators	Multicolor status LEDs
Branding	Brandable front panel
Authentication	RFID: ISO 15693, ISO 14443, NEMA EVSE 1.2-2015 (UR) Virtual RFID NFC (Tap to Charge) Contactless credit card

ChargePoint, Inc. reserves the right to alter product offerings and specifications at any time without notice, and is not responsible for typographical or graphical errors that may appear in this document.

	<p>Virtual contactless credit card Apple Pay &amp; Google Pay</p> <p>EMV chip credit card (available on -CHIP models only)</p> <p>Remote: Mobile App and in vehicle dash (If supported by vehicle) ISO 15118-2, Plug&amp;Charge, ISO 15118-20</p>
--	---

## Connectivity

Local Area Network	<p>2.4 GHz and 5 GHz WiFi (802.11 a/b/g/n/ac)</p> <p>Wired Ethernet up to 1 Gbps</p>
Wide Area Network	4G LTE
Supported Communication Protocols	OCPP 2.0.1
Service and Maintenance	Remote system monitoring, diagnostic, and proactive maintenance
Software Updates	Firmware updated over-the-air (OTA)

## Safety Ratings & Protocol

Vehicle Communication	ISO 15118-2, ISO 15118-3, DIN 70121, IEC61851-23
Plug-Out Detection	IEC 61851-23 (CCS2)
Safety and Compliance	<p>Testing in progress</p> <p>CE and UKCA marked. Complies with IEC 61851-1 and IEC 61851-23</p> <p>Eichrecht</p> <p>RoHS</p>
Station Surge Protection	Tested to IEC 6100-4-5, Level 5 (6 kV @ 3,000 A)
EMC Compliance	EN55011, EN55022, and IEC 61851-21-2 Class A

## Generic Specifications

Number of Connectors	<p>Up to 2 connectors per station</p> <p>Up to 8 connectors with additional Power Link(s)</p>
----------------------	---

ChargePoint, Inc. reserves the right to alter product offerings and specifications at any time without notice, and is not responsible for typographical or graphical errors that may appear in this document.

Supported Connector Types	CCS2 (IEC 61851-23)
Cable Length	Liquid cooled cable: 5.2 m (17 ft) Air cooled cable: 5.2 m (17 ft), 7.6 m (25 ft)*
Cable Management	Optional
Station Enclosure Dimensions	See diagrams below
Station Enclosure Rating	Type 3R, IP55
Station Impact Rating	IK10
Mounting Type	Ground
Station Weight	Up to 1300 kg (2840 lb) with all modules installed
Storage Temperature	-40°C to 70°C (-40°F to 158°F)
Operating Temperature	-40°C to 55°C (-40°F to 131°F) with derating
Operational Altitude	3,000 m (9,800 ft) without derating, 4000 m (13,123 ft) with derating
Operating Humidity	Up to 95% at 50°C (122°F) non-condensing
Standard Warranty	Limited 2-Year Parts and Labor Warranty

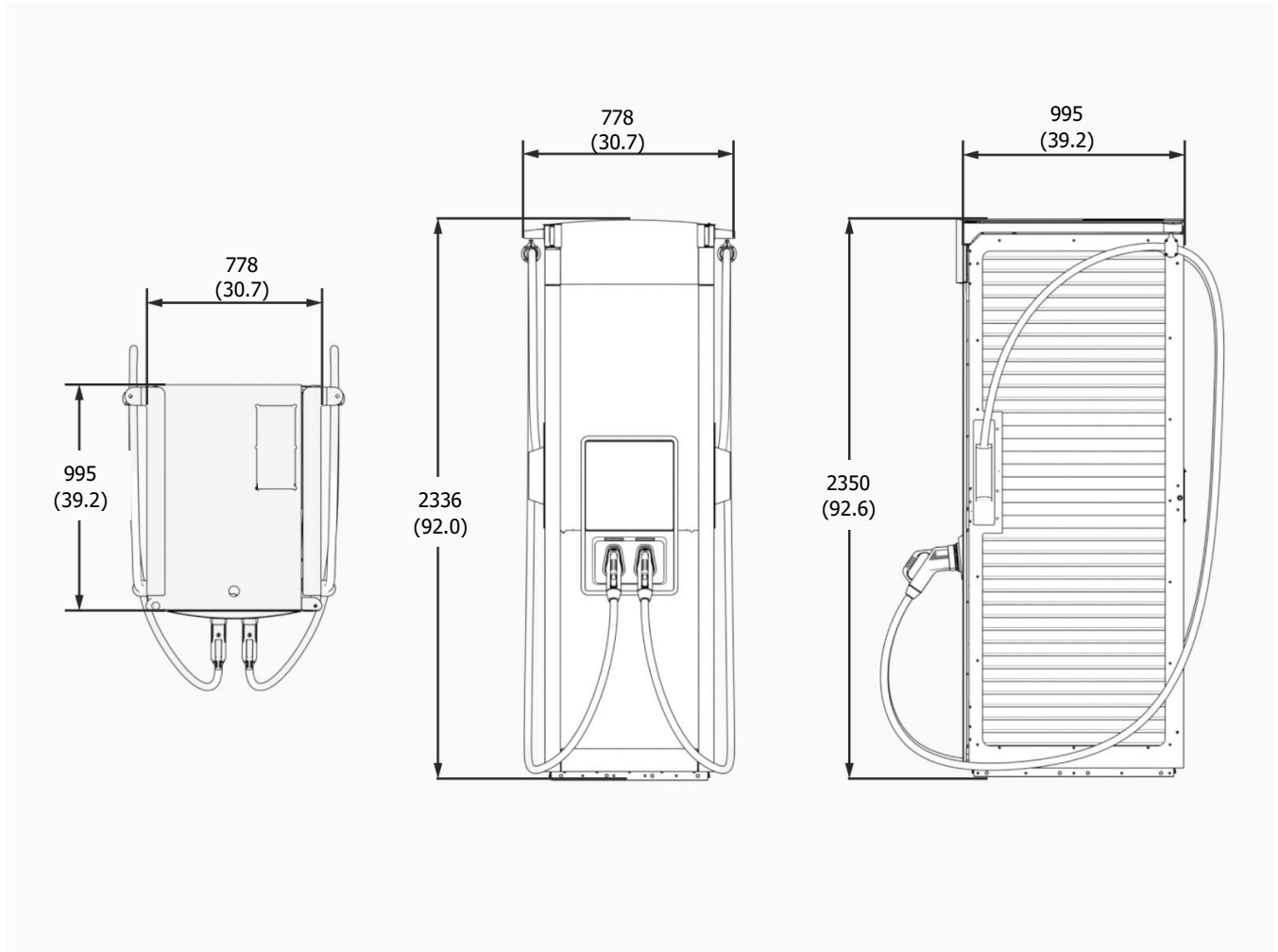
\*other lengths available upon request

## Energy Management Features

Dynamic Power Management	Allows a fixed maximum power output per station or lets the system dynamically manage the power distribution per station
Remote Energy Management	Manage output power via the ChargePoint Admin Portal, API, and Open ADR 2.0b VEN

# Architectural Drawings

Note: Images are not to scale. Measurements appear in metric units (mm), followed by imperial equivalents (inches).  
W x D x H: 778 mm x 995 mm x 2350 mm, 30.2 in x 38.8 in x 92.6 in



ChargePoint, Inc. reserves the right to alter product offerings and specifications at any time without notice, and is not responsible for typographical or graphical errors that may appear in this document.

## Contact Us

ChargePoint, Inc.  
240 East Hacienda Avenue  
Campbell, CA 95008-6617 USA

+1.408.841.4500 or  
+1.877.370.3802 US and Canada toll-free

Visit [chargepoint.com](https://chargepoint.com)

Call +1.408.705.1992

Email [sales@chargepoint.com](mailto:sales@chargepoint.com)

Copyright © 2025 ChargePoint, Inc. All rights reserved. CHARGEPOINT is a U.S. registered trademark/service mark, and an EU registered logo mark of ChargePoint, Inc. All other products or services mentioned are the trademarks, service marks, registered trademarks or registered service marks of their respective owners. Apr 2026



---

ChargePoint, Inc. reserves the right to alter product offerings and specifications at any time without notice, and is not responsible for typographical or graphical errors that may appear in this document.