

# ChargePoint® Home Charging Station

## Specifications and Ordering Information

### Ordering Information

Specify model number followed by the applicable code(s).

Description		Order Code
Model	Hardwired, 32A, 25 RPH, 5,486.4 mm (18 ft) cable	CPH25-L18
	Plug, 32A, 25 RPH, 5,486.4 mm (18 ft) cable	CPH25-L18-P
	Hardwired, 32A, 25 RPH, 7,620 mm (25 ft) cable	CPH25-L25
	Plug, 32A, 25 RPH, 7,620 mm (25 ft) cable	CPH25-L25-P
Replacement Cable	5,486.4 mm (18 ft), 32A Charging Cable	CPH25CORD-L18-F
	7,620 mm (25 ft), 32A Charging Cable	CPH25CORD-L25-F

\*RPH: estimated, maximum miles of Range Per Hour the station can deliver



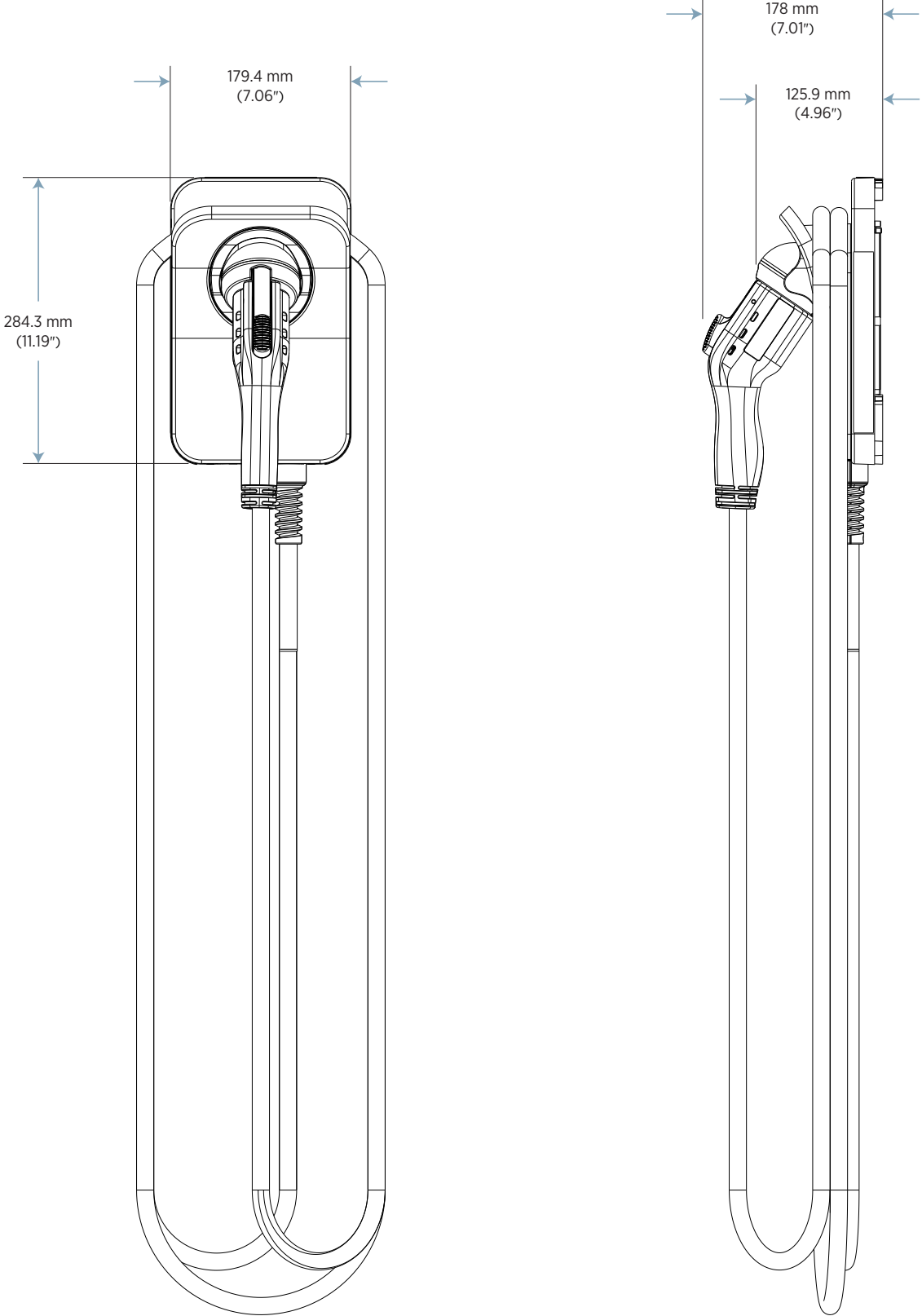
ChargePoint Home



The First  
**ENERGY STAR®**  
Certified EV Charger



# Dimensions



## Specifications

### Connector and Electrical

Input Cord	NEMA 6-50
AC Power Output Rating	7.7 kW
AC Power Input Rating	208/240V AC 60Hz single phase
Required Service Panel Breaker	Dedicated Dual Pole 40A
Service Panel GFCI	Do not provide external GFCI as it may conflict with internal GFCI (CCID)
Power Wiring	3 Wire - L1, L2 plus Earth (no neutral)
Charging Cord Lengths and Amperages	7620 mm (25 ft) 32A, 5486.4 mm (18 ft) 32A
Connector Type	SAE J1772™
Power Measurement Accuracy	+/- 2.0% from 2% to full scale
Power Report/Store Interval	15 minute aligned to hour

### Safety and Connectivity Features

Ground Fault Detection	20 mA CCID with auto retry
Open Safety Ground Detection	Continuously monitors presence of safety (green wire) ground connection
Plug-Out Detection	Power terminated per SAE J1772 specifications
Local Area Network	2.4/5 GHz WiFi (802.11 a/b/g/n)

### Safety and Operational Ratings

Enclosure Ratings	Type 3R per UL 50E
Safety and Compliance	UL and cUL listed: complies with UL2594, UL2231-1, UL2231-2. NEC Article 625 compliant
EMI Compliance	FCC Part 15 Class B
Storage Temperature	-40°C to 60°C (-40°F to 140°F) ambient
Operating Temperature	-30°C to 50°C (-22°F to 122°F) ambient
Operating Humidity	Up to 85% at 50°C (122°F) non-condensing
Non-Operating Humidity	Up to 95% at 50°C (122°F) non-condensing

### Indicators




WiFi LED	Yes
Fault Indicator per UL	Yes
Status LED	Yes

### Installation

Self Install Option	Yes
Install Software	Mobile App

ChargePoint, Inc. reserves the right to alter product offerings and specifications at any time without notice, and is not responsible for typographical or graphical errors that may appear in this document.

## Contact Us

-  Visit [chargepoint.com](https://chargepoint.com)
-  Call +1.408.705.1992
-  Email [sales@chargepoint.com](mailto:sales@chargepoint.com)



ChargePoint, Inc.  
240 East Hacienda Avenue  
Campbell, CA 95008-6617 USA

+1.408.841.4500 or  
+1.877.370.3802 US and Canada toll-free  
[chargepoint.com](https://chargepoint.com)

Copyright © 2019 ChargePoint, Inc. All rights reserved. CHARGEPOINT is a U.S. registered trademark/service mark, and an EU registered logo mark of ChargePoint, Inc. All other products or services mentioned are the trademarks, service marks, registered trademarks or registered service marks of their respective owners. DS-Home-07. May 2019. PN 73-001072-02-3.

Listed by Underwriters  
Laboratories Inc.

