

# ChargePoint® Level 2 Commercial Charging Station

Specifications and Ordering Information



CT4021

## Ordering Information

The order codes below represent specific product configurations. Other product options are available. Please contact ChargePoint Sales for information and order codes.

Specify model number followed by the applicable code(s).

The order code sequence is: Model-Options. Software, Services and Misc are ordered as separate line items.

## Hardware

Description		Order Code
<b>Model</b>	<b>1830 mm (6 ft) Single Port Bollard Mount</b>	<b>CT4011-GW1</b>
	<b>1830 mm (6 ft) Dual Port Bollard Mount</b>	<b>CT4021-GW1</b>
	<b>1830 mm (6 ft) Single Port Wall Mount</b>	<b>CT4013-GW1</b>
	<b>1830 mm (6 ft) Dual Port Wall Mount</b>	<b>CT4023-GW1</b>
	<b>2440 mm (8 ft) Dual Port Bollard Mount</b>	<b>CT4025-GW1</b>
	<b>2440 mm (8 ft) Dual Port Wall Mount</b>	<b>CT4027-GW1</b>
<b>Included</b>	<b>Integral Modem – North America</b>	<b>-GW1</b>
<b>Misc</b>	<b>Power Management Kit</b>	<b>CT4000-PMGMT</b>
	<b>Bollard Concrete Mounting Kit</b>	<b>CT4001-CCM</b>

\*Note: ALL CT4000 stations include Integrated Modem -GW1.

## Software & Services

Description	Order Code
<b>ChargePoint Commercial Service Plan</b>	<b>CPCLD-COMMERCIAL-n*</b>
<b>ChargePoint Enterprise Plan</b>	<b>CPCLD-ENTERPRISE-n*</b>
<b>ChargePoint Assure</b>	<b>CT4000-ASSUREn*</b>
<b>Station Activation and Configuration</b>	<b>CPSUPPORT-ACTIVE</b>
<b>ChargePoint Station Installation and Validation</b>	<b>CT4000-INSTALLVALID</b>

ChargePoint, Inc. reserves the right to alter product offerings and specifications at any time without notice, and is not responsible for typographical or graphical errors that may appear in this document.

## Order Code Examples

If ordering this...	...the order code is
<b>1830 mm (6 ft) Dual Port Bollard Networked Station with Concrete Mounting Kit</b>	<b>CT4021-GW1 CT4001-CCM</b>
<b>ChargePoint Commercial Service Plan, 3 Year Subscription</b>	<b>CPCLD-COMMERCIAL-3</b>
<b>ChargePoint Station Installation and Validation</b>	<b>CT4000-INSTALLVALID</b>
<b>3 Years of Assure Coverage</b>	<b>CT4000-ASSURE3</b>
<b>1830 mm (6 ft) Single Port Wall Mount Networked Station</b>	<b>CT4013-GW1</b>
<b>ChargePoint Commercial Service Plan, 5 Year Subscription</b>	<b>CPCLD-COMMERCIAL-5</b>
<b>5 Years of Assure Coverage</b>	<b>CT4000-ASSURE5</b>
<b>Station Activation and Configuration</b>	<b>CPSUPPORT-ACTIVE</b>

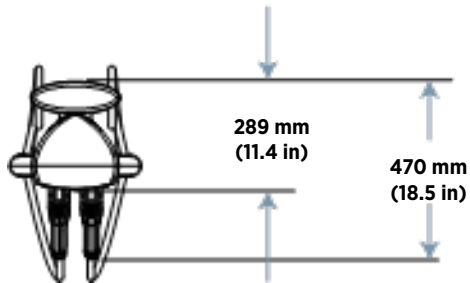
ChargePoint, Inc. reserves the right to alter product offerings and specifications at any time without notice, and is not responsible for typographical or graphical errors that may appear in this document.

## Architectural Drawings (Dimensions)

**CT4021 1830 mm (6')**

**CT4025 2440 mm (8')**

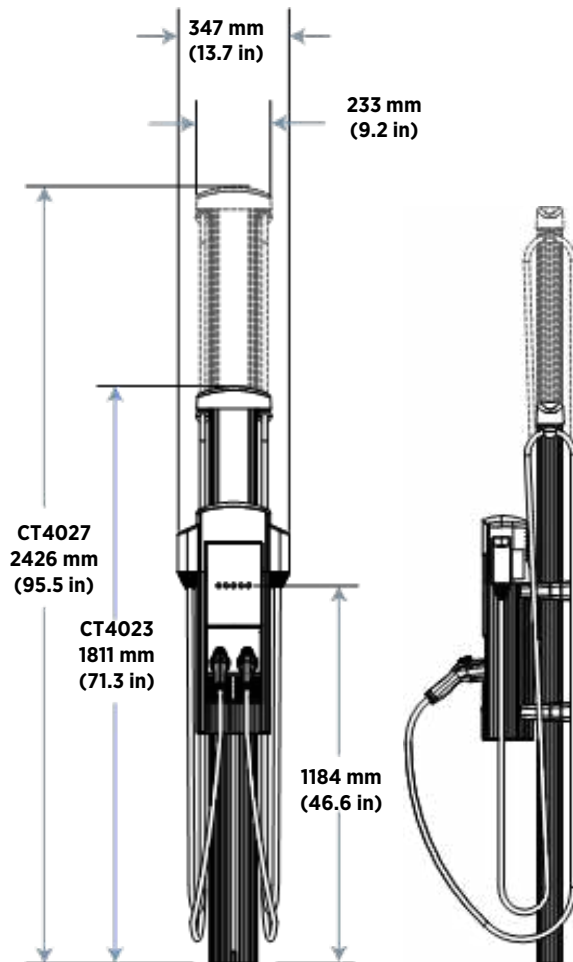
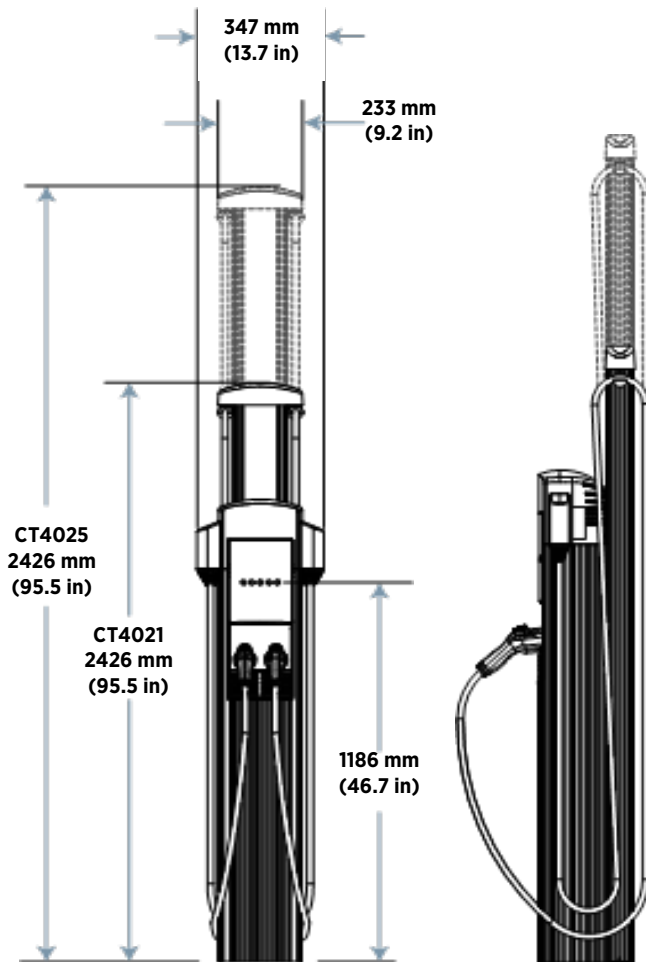
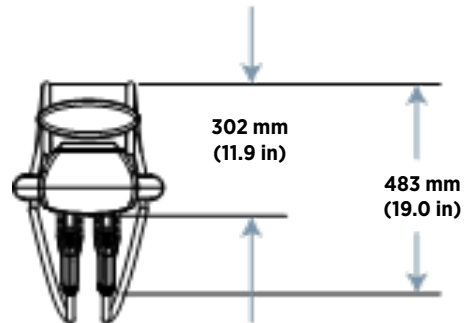
**Bollard**



**CT4023 1830 mm (6')**

**CT4027 2440 mm (8')**

**Wall Mount**



ChargePoint, Inc. reserves the right to alter product offerings and specifications at any time without notice, and is not responsible for typographical or graphical errors that may appear in this document.

## General Specifications

Electrical Input	Single Port (AC Voltage 208/240 V AC)			Dual Port (AC Voltage 208/240 V AC)		
	Input Current	Input Power Connection	Required Service Panel Breaker	Input Current	Input Power Connection	Required Service Panel Breaker
Standard	30 A	One 40 A branch circuit	40A dual pole (non-GFCI type)	30 A x 2	Two independent 40A branch circuits	40 A dual pole (non-GFCI type) x 2
Standard Power Share	n/a	n/a	n/a	32 A	One 40 A branch circuit	40 A dual pole (non-GFCI type)
Power Select 24 A	24 A	One 30 A branch circuit	30 A dual pole (non-GFCI type)	24 A x 2	Two independent 30A branch circuits	30 A dual pole (non-GFCI type) x 2
Power Select 24 A Power Share	n/a	n/a	n/a	24A	One 30 A branch circuit	30 A dual pole (non-GFCI type)
Power Select 16 A	16 A	One 20 A branch circuit	20 A dual pole (non-GFCI type)	16 A x 2	Two independent 20 A branch circuits	20 A dual pole (non-GFCI type)
Power Select 16 A Power Share	n/a	n/a	n/a	16 A	One 20 A branch circuit	20 A dual pole (non-GFCI type)
Service Panel GFCI	Do not provide external GFCI as it may conflict with internal GFCI (CCID)					
Wiring - Standard	3-wire (L1, L2, Earth)			5-wire (L1, L1, L2, L2, Earth)		
Wiring - Power Share	n/a			3-wire (L1, L2, Earth)		
Station Power	8 W typical (standby), 15 W maximum (operation)					
Line to Ground Voltage	120V +/- 10%					

ChargePoint, Inc. reserves the right to alter product offerings and specifications at any time without notice, and is not responsible for typographical or graphical errors that may appear in this document.

## Electrical Output

Electrical Output	Single Port (AC Voltage 208 / 240 V AC)	Dual Port (AC Voltage 208 / 240 V AC)
Standard	7.2 kW (240V AC @ 30 A)	7.2 kW (240V AC @ 30 A) x 2
Standard Power Share	n/a	7.2 kW (240 V AC @ 30 A) x 1 or 3.8 kW (240 V AC @ 16 A) x 2
Power Select 24 A	5.8 kW (240 V AC @ 24 A)	5.8 kW (240 V AC @ 24 A) x 2
Power Select 24 A Power Share	n/a	5.8 kW (240 V AC @ 24 A) x 1 or 2.9 kW (240 V AC @ 12 A) x 2
Power Select 16A	3.8 kW (240 V AC @ 16A)	3.8 kW (240 V AC @ 16 A) x 2
Power Select 24 A Power Share	n/a	3.8 kW (240 V AC @ 16 A) x 1 or 1.9 kW (240 V AC @ 8 A) x 2

## Functional Interfaces

	Single Port (AC Voltage 208 / 240 V AC)	Dual Port (AC Voltage 208 / 240 V AC)
Connector(s) Type	SAE J1772™	SAE J1772™ x 2
Cable Length - 1830 mm (6 ft) Cable Management	5.5 m (18 ft)	5.5 m (18 ft) x 2
Overhead Cable Management System	Yes	
LCD Display	145 mm (5.7 in) full color, 640 x 480, 30 fps full motion video, active matrix, UV protected	
Authentication and Payment	RFID: ISO 15693, ISO 14443 Virtual RFID NFC (Tap to Charge) Contactless credit card Virtual Contactless credit card Apple Pay Google Pay Remote: Mobile App and In Vehicle Dash (if supported by vehicle)	

ChargePoint, Inc. reserves the right to alter product offerings and specifications at any time without notice, and is not responsible for typographical or graphical errors that may appear in this document.

Locking Holster	Yes	Yes x 2
-----------------	-----	---------

## Safety and Connectivity Features

Ground Fault Detection	20 mA CCID with auto retry
Open Safety Ground Detection	Continuously monitors presence of safety (green wire) ground connection
Plug-Out Detection	Power terminated per SAE J1772™ specifications
Power Measurement Accuracy	+/- 2% from 2% to full scale (30 A)
Power Report/Store Interval	15 minutes, aligned to hour
Wide Area Network	LTE Category 4
Network	All stations include integral LTE modem

## Safety and Operational Ratings

Station Enclosure Rating	Type 3R per UL 50E
Safety and Compliance	UL listed and cUL certified; complies with UL 2594, UL 2231-1, UL 2231-2, NEC Article 625, CTEP/NTEP, and Energy Star
Station Surge Protection	6 kV @ 3,000 A. In geographic areas subject to frequent thunderstorms, supplemental surge protection at the service panel is recommended.
Short Circuit Current Rating	5 kA
EMC Compliance	FCC Part 15 Class A
Operating Temperature	-40 °C to 50 °C (-40 °F to 122 °F)
Storage Temperature	-40 °C to 60 °C (-40 °F to 140 °F)
Non-Operating Temperature	-40 °C to 60 °C (-40 °F to 140 °F)
Operating Humidity	Up to 85% @ 50 °C (122 °F) non-condensing
Non-Operating Humidity	Up to 95% @ 50 °C (122 °F) non-condensing
Terminal Block Temperature Rating	105 °C (221 °F)

ChargePoint, Inc. reserves the right to alter product offerings and specifications at any time without notice, and is not responsible for typographical or graphical errors that may appear in this document.

## Other Specifications

Station Weight	Wall Mount: 33.0 kg (72.7 lb) Bollard Mount: 46.6 kg (102.7 lb)
Standard Warranty	Limited 2-Year Parts Warranty

## Contact Us

ChargePoint, Inc.  
240 East Hacienda Avenue  
Campbell, CA 95008-6617 USA

+1.408.841.4500 or  
+1.877.370.3802 US and Canada toll-free

Visit [chargepoint.com](https://chargepoint.com)

Call +1.408.705.1992

Email [sales@chargepoint.com](mailto:sales@chargepoint.com)

Copyright © 2024 ChargePoint, Inc. All rights reserved. CHARGEPOINT is a U.S. registered trademark/service mark, and an EU registered logo mark of ChargePoint, Inc. All other products or services mentioned are the trademarks, service marks, registered trademarks or registered service marks of their respective owners. July 2024



ChargePoint, Inc. reserves the right to alter product offerings and specifications at any time without notice, and is not responsible for typographical or graphical errors that may appear in this document.