

ChargePoint[®] Express Plus with Power Link 1000

A flexible DC fast charging platform that grows with you.



Express Plus Power Module

Express Plus Power Module Output

| | |
|-----------------------------|-------------------|
| Max Output Power | 40 kW |
| Max Output Current | 100 A |
| Power Conversion Efficiency | Up to 96% |
| Power Factor | 0.99 at full load |

ChargePoint, Inc. reserves the right to alter product offerings and specifications at any time without notice, and is not responsible for typographical or graphical errors that may appear in this document

Express Plus Power Module Specifications

| | |
|-------------------------|---|
| Power Module Dimensions | 430 mm (H) x 130 mm (W) x 760 mm (L) (1 ft 5 in x 5 in x 2 ft 6 in) |
| Power Module Weight | 45 kg (98.5 lb.) |
| Power Module Cooling | Liquid Cooled Technology |
| Harmonics | iTHD < 5% (Complies with IEEE 519) |

Express Plus Power Block

Express Plus Power Block Input

| | |
|------------------------------|--|
| Input Rating | 3-phase, 400-480Y VAC, 310-260 A 50/60 Hz (200 kW) Optional: 3-phase, 400-480Y VAC, 255-210 A 50/60 Hz (160 kW) |
| Wiring | L1, L2, L3, Earth |
| Short Circuit Current Rating | 65 kA |

Express Plus Power Block Output

| | |
|---------------------------------------|--|
| Max Output Power | 200 kW Optional: 160 kW |
| Output Voltage, Charging | 100 V – 1000 V |
| Max Current per Output | 200 A, 250 A, 300 A, 350 A, 375 A |
| Number of Stations Served | One Power Block can serve up to 2 Power Link stations. Additional Power Blocks can be added to serve more stations or increase power output. |
| Maximum Power Modules per Power Block | 5 |

Express Plus Power Block Specifications

| | |
|------------------------------|--|
| Power Block Dimensions | 2191 mm (H) x 988 mm (W) x 1039 mm (L) (7 ft 3 in x 3 ft 3 in x 3 ft 5 in) |
| Power Block Weight | 455 kg (1000 lbs) without Power Modules |
| Power Block Enclosure Rating | Type 3R, IP56 |

ChargePoint, Inc. reserves the right to alter product offerings and specifications at any time without notice, and is not responsible for typographical or graphical errors that may appear in this document

Express Plus Power Link

Express Plus Power Link Output

| | |
|--|---|
| Max Output Power | Up to 375 kW with Power Blocks |
| Output Voltage, Charging | 100 V – 1000 V |
| CCS1 Max Output Current** | Option 1: 200 A with Power Blocks Option 2: 350 A with Power Blocks Option 3: 375 A with Power Blocks |
| North American Charging Standard J3400 (NACS) Max Output Current** | 375 A with Power Blocks |
| CHAdeMO Max Output Current** | 200 A with Power Blocks |

**Availability may vary

Express Plus Power Link Specifications

| | |
|---------------------------|---|
| Station Dimensions | See Diagrams below |
| Station Footprint | See Diagrams below |
| Station Weight | 250 kg (550 lbs) |
| Number of Connectors | Up to 2 connectors per station |
| Supported Connector Types | NACS (J3400), CCS1 (SAE J1772™ Combo), CCS2 (IEC 61851-23), CHAdeMO |
| Cable Length* | Standard 5.8 m (19 ft) with Cable Management Kit (CMK) Optional 7.6 m (25 ft) with overhead or Tall Cable Management Kit (CMK) |
| Station Enclosure Rating | Type 3R, IP56, IK10 |
| Mounting Type | Ground, Wall, Overhead |

*Horizontal reach to typical vehicle charging port is 3.76 m (12 ft 4 in) with standard cable and 6m (20 ft) with optional cable. Availability of 7.6m cable varies by connector type and amperage.

Functional Interfaces

| | |
|----------------|---|
| Indicators | Multicolor LEDs |
| LCD Display | Optional: Full color 203 mm (8 in) interactive display with full motion video, UV protection, gesture touch controls, and multi-language support |
| Authentication | RFID: ISO 15693, ISO 14443, NEMA EVSE 1.2-2015 (UR) Tap to Charge (NFC on Apple & Android) Contactless credit card ISO 15118-2, Plug&Charge Remote: Mobile and in vehicle (if supported by vehicle) Optional: Credit card chip reader pedestal |

ChargePoint, Inc. reserves the right to alter product offerings and specifications at any time without notice, and is not responsible for typographical or graphical errors that may appear in this document

Connectivity Features

| | |
|-----------------------------------|---|
| Local Area Network | 2.4 GHz and 5 GHz WiFi (802.11 b/g/n) |
| Wide Area Network | 4G LTE |
| Supported Communication Protocols | OCPP 2.0.1 |
| Service and Maintenance | Remote system monitoring, diagnostic, and proactive maintenance |

Safety and Operational Ratings

| | |
|------------------------------|---|
| Vehicle Safety Communication | NACS: (uses CCS1 protocols) CHAdeMO – JEVS G104 over CAN, CCS1 – SAE J1772 over PLC and CCS2 — IEC 61851-23 |
| Plug-In Detection | Power terminated per JEVS G104 (CHAdeMO), SAE J2931 (CCS1) and IEC 61851-23 (CCS2) |
| Safety Compliance | Complies with UL 2202, UL 2231-1, UL 2231-2, CSA 107.1 Complies with IEC 61851-1 and IEC 61851-23, Energy Star, CTEP |
| Surge Protection | Tested to IEC 61000-4-5, Level 5 (6 kV @ 3,000A). In geographic areas subject to frequent thunderstorms, supplemental surge protection at the service panel is recommended. |
| EMC Compliance | U.S and Canada: FCC 15 subpart A Class B; EU: EN55011, EN55022 and IEC61000-6-3 Class B |

Generic Specifications

| | |
|-----------------------|--|
| Operational Altitude | <3,000 m (<9,800 ft) |
| Operating Temperature | -40°C to 50°C (-40°F to 122°F) with derating |
| Storage Temperature | -40°C to 70°C (-40°F to 158°F) |
| Operating Humidity | Up to 95% @ 50°C (122°F) non-condensing |
| Standard Warranty | Limited 2-Year Parts Warranty |

Energy Management Features

| | |
|--------------------------|---|
| Dynamic Power Management | Allows a fixed maximum power output per station or lets the system dynamically manage the power distribution per station. |
| Remote Energy Management | Manage output power via the ChargePoint Admin Portal, API, and Open ADR 2.0b VEN. |

ChargePoint, Inc. reserves the right to alter product offerings and specifications at any time without notice, and is not responsible for typographical or graphical errors that may appear in this document

Hardware Ordering Information

The order codes below represent common product configurations. Other product options are available upon request. Please contact ChargePoint Sales for information and order codes. All SKU's displayed include standard cable management and mounting kit. Note, Power Link and Power Block current ratings must match. Eg. 200 A with 200 A.

| Description | | Order Code |
|-----------------------------|---|---|
| Commercial Models | Express Plus Power Block, 350 A rated output | EXPP-PB1000-350A-PD |
| | Express Plus Power Link, North America version, 1x CCS1 350 A 5.8 m cable, 1x CHAdeMO 200 A 5.8 m cable, Pedestal, with display | EXPP-PL1021B-5A1S1-2A3S1 |
| Fleet Models | Express Plus Power Block, 200 A rated output | EXPP-PB1000-200A-PD |
| | Express Plus Power Link NA Version. 1x CCS1 200A 5.8m cable, Pedestal, with display. | EXPP-PL1011B-2A1S1 |
| | Express Plus Power Link NA Version. Same as above but with 2x CCS1 Connectors | EXPP-PL1021B-2A1S1-2A1S1 |
| Other Connector Options | Cables can be ordered with a single or a dual combination as well as lengths and amperage depending on application. | Please contact ChargePoint Sales for assistance in ordering |
| Power Module | EXPP Power Module | EXPP-PM-40kW |
| Mounting & Template Options | Mounting kits and templates for various mounting are available | Please contact ChargePoint Sales for assistance in ordering |
| Buy America | Buy America (FTA & FHWA) options available upon request | Add -FTA or -FHWA to part numbers above |

ChargePoint, Inc. reserves the right to alter product offerings and specifications at any time without notice, and is not responsible for typographical or graphical errors that may appear in this document

Software & Services Ordering Information

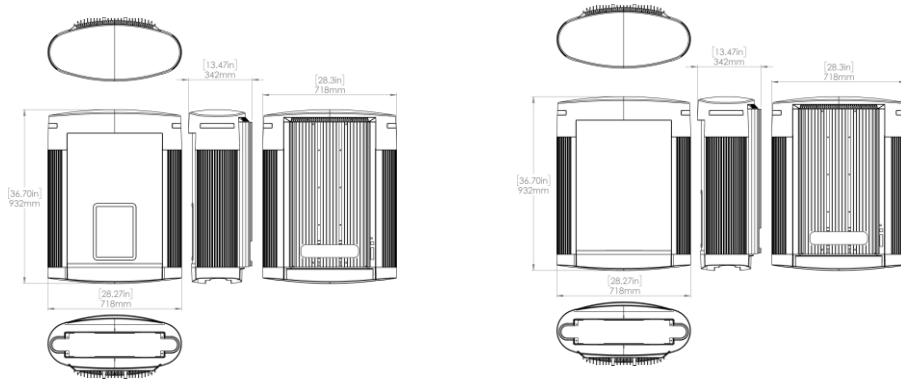
| Description | Order Code |
|---|-------------------------------|
| ChargePoint Enterprise Cloud Plan (Commercial) <i>Note: One token per vehicle. Station activation is included in this plan.</i> | CPCLD- ENTERPRISE-DC-n* |
| ChargePoint Enterprise Cloud Plan (Fleet) <i>Note: One token per vehicle. Station activation is included in this plan.</i> | CPCLD-FLEETENT-DC-n* |
| ChargePoint Assure® — Prepaid Assure Plan for an Express Plus Single Cable station. | EXPP-PL1000-SINGLE- ASSURE-n* |
| ChargePoint Assure® — Prepaid Assure Plan for an Express Plus Dual Cable station. | EXPP-PL1000-DUAL-ASSURE-n* |
| ChargePoint Assure® — Prepaid Assure Plan for Express Plus Power Block. | EXPP-BLOCK-ASSURE-n* |
| Commissioning Service (Required per Power Block): includes on-site validation and inspection of electrical, mechanical, installation, wiring and civil parameters for the Express Plus Power Block. | EXPP-BLOCK-COMMISSIONING |
| Commissioning Service (Required per Power Link): includes on-site validation and inspection of electrical, mechanical, installation, wiring and civil parameters for the Express Plus Power Link. | EXPP-PL1000-COMMISSIONING |

Note: All Express Plus Power Link stations require a cloud plan.

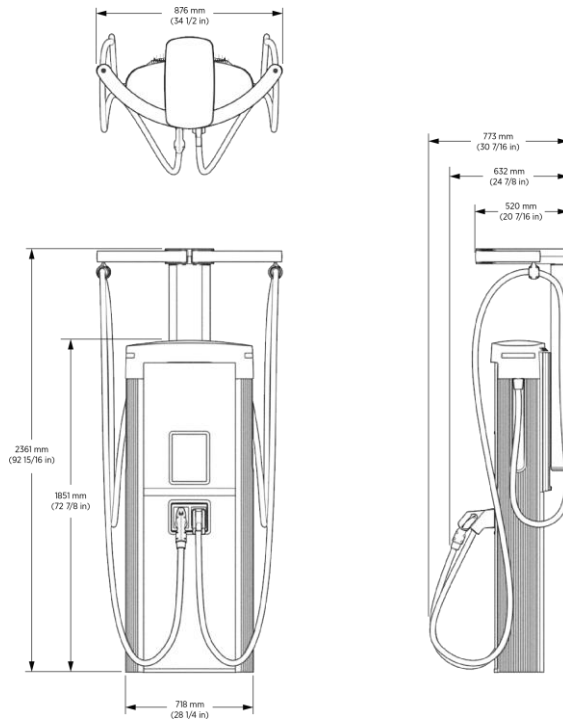
*Substitute *n* for desired years of service (1, 2, 3, 4 or 5 years). Includes parts and labor warranty, remote technical support, on-site repairs when needed, unlimited configuration changes, and reporting.

Architectural Drawings

Express Plus Overhead Mounting Option with or without screen (Fleet Only)

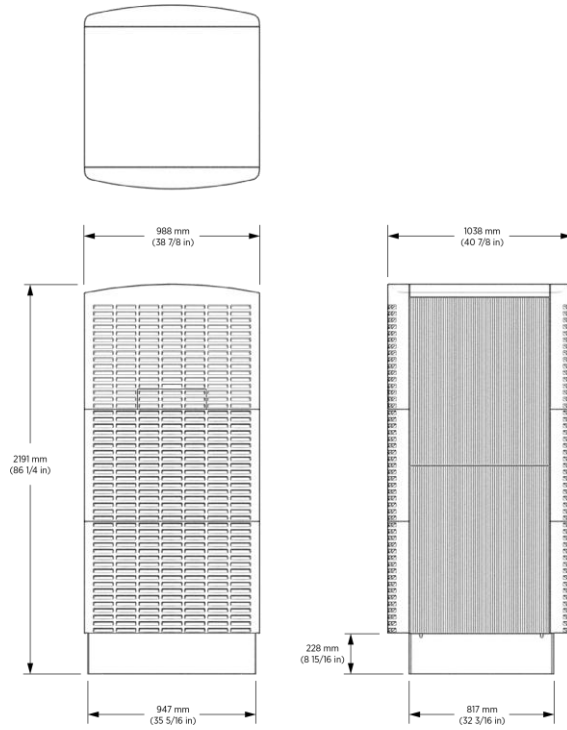


Express Plus Power Link with Screen

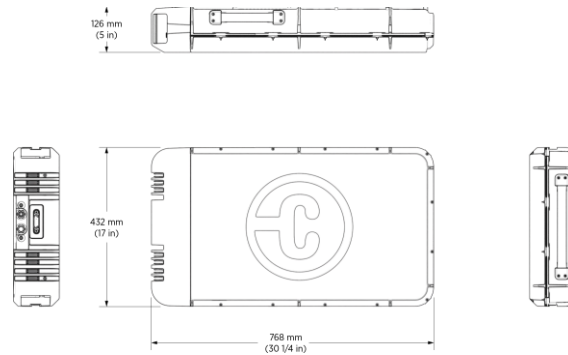


ChargePoint, Inc. reserves the right to alter product offerings and specifications at any time without notice, and is not responsible for typographical or graphical errors that may appear in this document

Express Plus Power Block



Express Plus Power Module



ChargePoint, Inc. reserves the right to alter product offerings and specifications at any time without notice, and is not responsible for typographical or graphical errors that may appear in this document



ChargePoint, Inc.
240 East Hacienda Avenue
Campbell, CA 95008-6617 USA
+1.408.841.4500 or
+1.877.370.3802 US and Canada toll-free
chargepoint.com

Contact Us
Visit chargepoint.com
Call +1.408.705.1992
Email sales@chargepoint.com

©2013-2024 ChargePoint, Inc. All rights reserved. This material is protected by the copyright laws of the United States and other countries. It may not be modified, reproduced, or distributed without the prior, express written consent of ChargePoint, Inc. CHARGEPOINT is a US, UK, and EU registered trademark and service mark of ChargePoint, Inc. and cannot be used without the prior written consent of ChargePoint. Feb 2024.

* Listed by Underwriters Laboratories Inc.



ChargePoint, Inc. reserves the right to alter product offerings and specifications at any time without notice, and is not responsible for typographical or graphical errors that may appear in this document