

ChargePoint® Express 250



High Power in a Small Footprint

Ordering Information

The order codes below represent specific product configurations. Other product options are available. Please contact ChargePoint Sales for information and order codes.

Hardware

Description		Order Code
Model	Express 250 Station includes 2x Power Modules, 1x CCS1 cable, 1x CHAdeMO cable	CPE250C-625-CCS1-200A-CHD
	Express 250 Station includes 2x Power Modules, 1x CCS1 cable, 1x CHAdeMO cable, Buy America FTA Compliant	CPE250C-625-CCS1-200A-CHD-FTA
	Express 250 Station includes 2x Power Modules, 1x CCS1 cable, 1x CHAdeMO cable, Buy America FTA Compliant, Mounted on a dolly with a power receptacle	CPE250C-625-CCS1-200A-CHD-NA-MOBILE-FTA

Description		Order Code
NACS Hardware Upgrade Kit	Hardware to convert a CHAdeMO cable to a NACS cable or replace an existing NACS cable for an Express 250 station	CPE250-CABLE-NACS-KIT
NACS Hardware Upgrade Kit with a Cut Resistant Cable	Hardware to convert a CHAdeMO cable to a cut resistant NACS cable or replace an existing cut resistant NACS cable for an Express 250 station	CPE250-CABLE-NACS-CR-KIT
Cut Resistant CCS Cable	Hardware to upgrade a CCS cable with a cut resistant CCS cable or replace an existing cut resistant CCS cable for an Express 250 station	CPE250-CABLE-CCS1-200A-CR

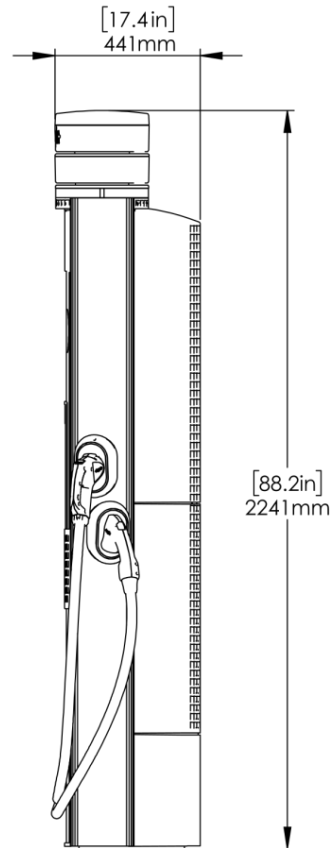
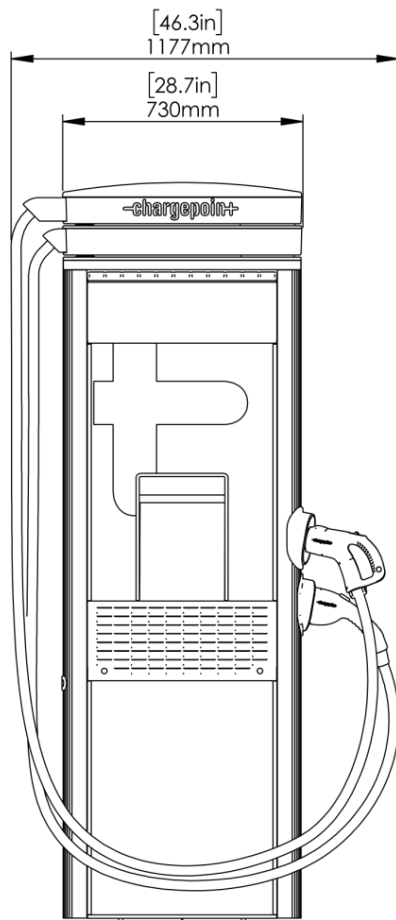
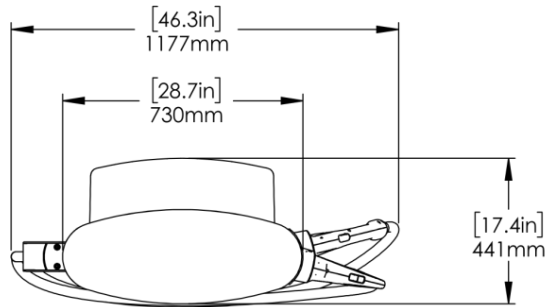
ChargePoint, Inc. reserves the right to alter product offerings and specifications at any time without notice and is not responsible for typographical or graphical errors that may appear in this document.

Software & Services

ChargePoint Express 250 requires the purchase of separate Cloud, Activation and Commissioning services to ensure a smooth deployment and support experience. ChargePoint also offers various support plans such as ChargePoint Assure.® Learn more at www.chargepoint.com/products/guides.

Architectural Drawings

Note: Images are not to scale. Measurements appear in metric units (mm), followed by imperial equivalents (inches).



ChargePoint, Inc. reserves the right to alter product offerings and specifications at any time without notice and is not responsible for typographical or graphical errors that may appear in this document.

General Specifications

Station Electrical Input	
Input Rating	400 V AC, 3-phase, 96 A, 50 Hz 480Y/277V AC, 3-phase, 80 A, 60 Hz
Wiring	L1, L2, L3, Earth
Short Circuit Current Rating	65 kA

Station Electrical Output	
Max Output Power	62.5 kW
Output Voltage, Charging	200–1,000 V DC
Max Output Current	156 A
Max Modules per Station	2

Paired Station Electrical Output	
Paired Max Output Power	125 kW
Paired Max Output Current	CCS1: 200 A North American Charging Standard (NACS): 200 A CHAdeMO: 140 A

Power Module	
Max Output Power	31.25 kW
Max Output Current	78 A
Power Conversion Efficiency	> 95%
Power Factor	0.99 at full load

ChargePoint, Inc. reserves the right to alter product offerings and specifications at any time without notice and is not responsible for typographical or graphical errors that may appear in this document.

Harmonics	iTHD < 5% (Complies with IEEE 519 Requirements)
Power Module Cooling	Liquid Cooling Technology

Functional Interfaces	
Max Connector Types per Station	Up to two different connector types per station
Supported Connector Types	CCS1 (SAE J1772™ Combo), NACS, CHAdeMO
Cable Length with Swing Arm*	Full Horizontal Reach: 4.27 m (14 ft)
LCD Display	Full-colour 254 mm (10 in.) display for driver interaction
Top Display	Full-colour 508 mm (20 in.) LED display for notifications
Authentication	RFID: ISO 15693, ISO 14443, NEMA EVSE 1.2-2015 (UR) Tap to Charge (NFC on Apple & Android): 15118-2 (EIM) Remote: Mobile and in vehicle (if supported by vehicle)

*Horizontal reach to typical vehicle charging port: 3.76 m (12 ft 4 in.)

Connectivity Features	
Vehicle Safety Communication	CCS1 – SAE J1772 over PLC and CHAdeMO – JEVS G104 over CAN
Plug-Out Detection	Power terminated per SAE J2931 (CCS1) and JEVS G104 (CHAdeMO)
Local Area Network	2.4 GHz and 5 GHz WiFi (802.11 b/g/n)
Wide Area Network	4G LTE (fall back to 3G GSM)
Supported Communication Protocols	OCPP 2.0.1
Service and Maintenance	Remote system monitoring, diagnostic and proactive maintenance

ChargePoint, Inc. reserves the right to alter product offerings and specifications at any time without notice and is not responsible for typographical or graphical errors that may appear in this document.

ChargePoint, Inc. reserves the right to alter product offerings and specifications at any time without notice and is not responsible for typographical or graphical errors that may appear in this document.

Safety and Operational Ratings	
Station Enclosure Rating	Type 3R, IP54
Station Impact Rating	IK10
Safety and Compliance	UL and cUL listed: complies with UL 2202, UL 2231-1, UL 2231-2, CSA 107.1 NTEP/CTEP
Station Surge Protection	Tested to IEC 6100-4-5, Level 5 (6 kV @ 3,000 A). In geographic areas subject to frequent thunderstorms, supplemental surge protection at the service panel is recommended.
EMC Compliance	U.S.: FCC part 15 Class A
Storage Temperature	-40°C to 50°C (-40°F to 122°F)
Operating Temperature	-40°C to 50°C (-40°F to 122°F)
Operational Altitude	<3,000 m (<9,800 ft)
Operating Humidity	Up to 95% @ 50°C (122°F) non-condensing

Generic Specifications	
Station Enclosure Dimensions	2,241 mm H x 730 mm W x 441 mm D (7 ft 4 in. x 2 ft 5 in. x 1 ft 5 in.)
Power Module Dimensions	760 mm H x 430 mm W x 130 mm D (2 ft 6 in. x 1 ft 5 in. x 5 in.)
Station Weight (without Power Modules)	250 kg (551 lb)
Power Module Weight	45 kg (98.5 lb)
Standard Warranty	Limited 2-Year Parts Warranty

ChargePoint, Inc. reserves the right to alter product offerings and specifications at any time without notice and is not responsible for typographical or graphical errors that may appear in this document.

Energy Management Features	
Dynamic Power Management	Allows a fixed maximum power output per station or lets the system dynamically manage the power distribution per station
Remote Energy Management	Manage output power via the ChargePoint Admin Portal, API, and Open ADR 2.0b VEN

Contact Us

ChargePoint, Inc.
 240 East Hacienda Avenue
 Campbell, CA 95008-6617 USA
 +1.408.841.4500 or
 +1.877.370.3802 US and Canada toll-free

Visit chargepoint.com
 Call +1.408.705.1992
 Email sales@chargepoint.com

Copyright © 2024 ChargePoint, Inc. All rights reserved. CHARGEPOINT is a US registered trademark/service mark, and an EU registered logo mark of ChargePoint, Inc. All other products or services mentioned are the trademarks, service marks, registered trademarks or registered service marks of their respective owners. Jan 2025



ChargePoint, Inc. reserves the right to alter product offerings and specifications at any time without notice and is not responsible for typographical or graphical errors that may appear in this document.