

ChargePoint® Express Distro Power Link 2000

One platform, infinite possibilities



Express Distro Power Link 2000 Specifications

Electrical

Max Output Power per Connector	Up to 1.2 MW, dependent on cable amperage and Power Block configuration
Max Input Current, Auxiliary	48 VDC, 20 A
Input and Output Voltage, Charging	100 to 1000 VDC
J3400 Output Current	Option 1: 600 A with liquid cooled cable Option 2: 400 A, 600 A peak** Option 3: 500 A with Omni Port
CCS1 Output Current	Option 1: 600 A with liquid cooled cable Option 2: 500 A with Omni Port Option 3: 400 A, 600 A peak**
MCS Output Current	1200 A with liquid cooled cable

**Available with cut resistant cable

Functional Interfaces

Indicators	Multicolor Status LEDs
LCD Display	Option 1: Full color 203 mm (8 in) interactive display with full motion video, UV protection and multi-language support Option 2: Full color 380 mm (15 in) interactive display with full motion video, UV protection and multi-language support
Branding	Brandable front panels
Authentication	RFID: ISO 15693, ISO 14443, NEMA EVSE 1.2-2015 (UR) Virtual RFID NFC (Tap to Charge) Contactless credit card Virtual contactless credit card Apple Pay & Google Pay EMV chip credit card (available on -CHIP models only) Remote: Mobile App and in vehicle dash (If supported by vehicle) ISO 15118-2, Plug&Charge

ChargePoint, Inc. reserves the right to alter product offerings and specifications at any time without notice, and is not responsible for typographical or graphical errors that may appear in this document.

Connectivity Features

Local Area Network	2.4 GHz and 5 GHz WiFi (802.11 b/g/n) Wired Ethernet
Communication with Power Block	Ethernet
Wide Area Network	4G LTE
Supported Communication Protocols	OCPP 2.0.1
Service and Maintenance	Remote system monitoring, diagnostic, and proactive maintenance

Safety Ratings & Protocol

Vehicle Communication	CHAdeMO: JEVS G104 over CAN CCS1/2: ISO 15118-2, ISO 15118-3, DIN 70121 SAE J1772, IEC61851-23 MCS: SAE J3271
Plug-Out Detection	Power terminated per JEVS G104 (CHAdeMO), SAE J2931 (CCS1) and IEC 61851-23 (CCS2)
Safety and Compliance	cUL and UL listed. Complies with UL 2202 CTEP, Energy Star MCS: UL pending RoHS
Surge Protection	Tested to IEC 61000-4-5, Level 5 (6 kV @ 3,000 A)
EMC Compliance	FCC part 15 Class A

Generic Specifications

Station Dimensions	See diagrams below
Station Footprint	See diagrams below
Station Weight	Approximately 209 kg (459 lb). Refer to Site Design Guide for more details.

ChargePoint, Inc. reserves the right to alter product offerings and specifications at any time without notice, and is not responsible for typographical or graphical errors that may appear in this document.

Number of Connectors	Up to 2 connectors per station, depending on connector type
Supported Connector Types	CCS1 (SAE J1772™ Combo), SAE J3271 (MCS), NACS (SAE J3400)
Cable Length	Liquid cooled cable: 5 m (16.4 ft) Air cooled cable: 5.8 m (19 ft), 7.6 m (25 ft) MCS: 4 m (13 ft)
Cable Management	2.4 m (7.9 ft) Cable Management Kit, 3.0 m (9.8 ft) Cable Management Kit, Overhead Cable Management
Station Enclosure Rating	Type 3R, IP56, IK10 (Except credit card chip reader)
Mounting Type	Ground
Operational Altitude	< 3,000 m (9,800 ft)
Operating Temperature	-40°C to 50°C (-40°F to 122°F) with derating
Storage Temperature	-40°C to 70°C (-40°F to 158°F)
Operating Humidity	Up to 95% at 50°C (122°F) non-condensing
Buy America	FTA, FHWA, BABA available upon request
Standard Warranty	Limited 2-Year Parts Warranty

*Horizontal reach to typical vehicle charging port is 3.76 m (12 ft 4 in) with standard cable

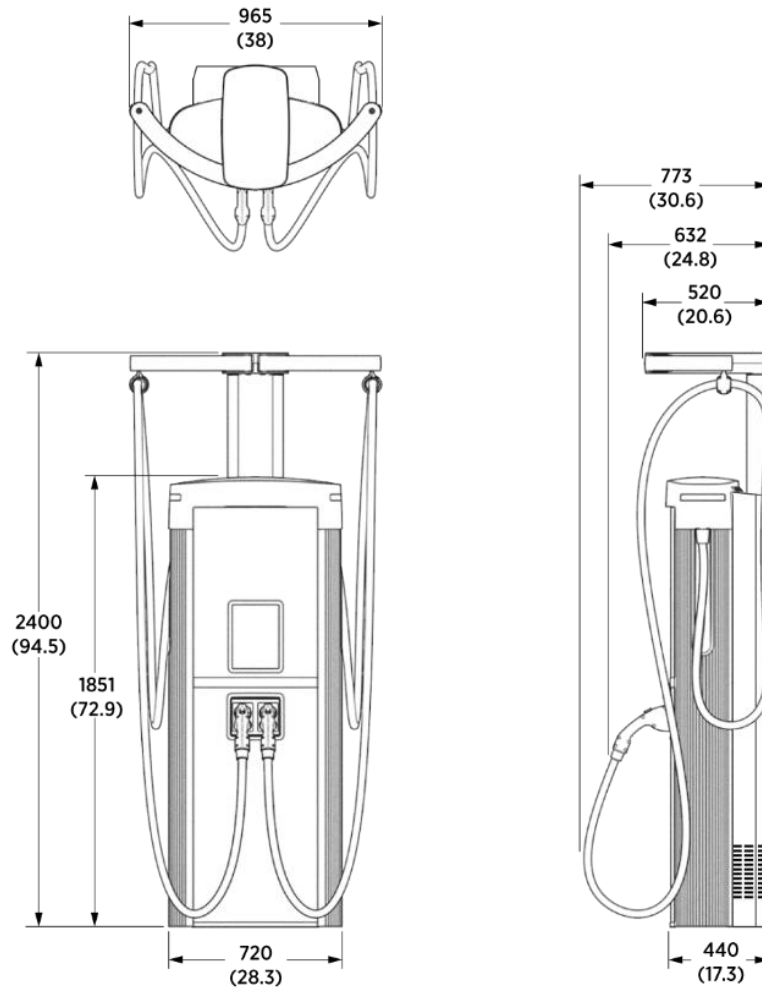
Energy Management Features

Dynamic Power Management	Allows a fixed maximum power output per station or lets the system dynamically manage the power distribution per port
Remote Energy Management	Manage output power via the ChargePoint Admin Portal, API, and Open ADR 2.0b VEN

Architectural Drawings

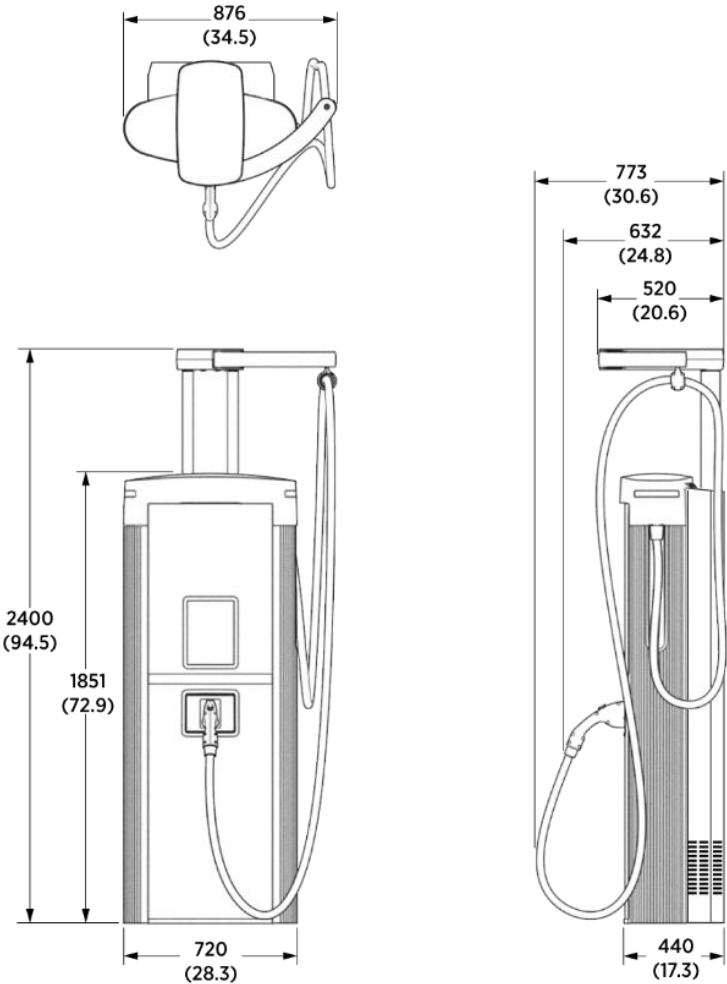
Note: Images are not to scale. Measurements appear in metric units (mm), followed by imperial equivalents (inches).

Express Distro Power Link 2000, with liquid-cooled cable, dual connectors (non-MCS)



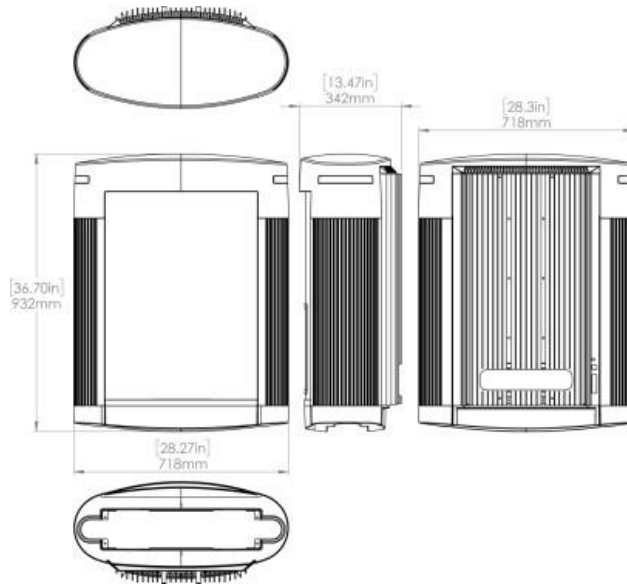
ChargePoint, Inc. reserves the right to alter product offerings and specifications at any time without notice, and is not responsible for typographical or graphical errors that may appear in this document.

Express Distro Power Link 2000, with liquid-cooled cable, single connector (non-MCS)



ChargePoint, Inc. reserves the right to alter product offerings and specifications at any time without notice, and is not responsible for typographical or graphical errors that may appear in this document.

Express Distro Power Link 2000 Overhead (Fleet Only)



Contact Us

ChargePoint, Inc.
240 East Hacienda Avenue
Campbell, CA 95008-6617 USA

+1.408.841.4500 or
+1.877.370.3802 US and Canada toll-free

Visit [chargepoint.com](https://www.chargepoint.com)
Call +1.408.705.1992
Email sales@chargepoint.com

Copyright © 2026 ChargePoint, Inc. All rights reserved. CHARGEPOINT is a U.S. registered trademark/service mark, and an EU registered logo mark of ChargePoint, Inc. All other products or services mentioned are the trademarks, service marks, registered trademarks or registered service marks of their respective owners. Apr 2026



ChargePoint, Inc. reserves the right to alter product offerings and specifications at any time without notice, and is not responsible for typographical or graphical errors that may appear in this document.