

# ChargePoint® Express Solo

One platform, infinite possibilities



---

ChargePoint, Inc. reserves the right to alter product offerings and specifications at any time without notice, and is not responsible for typographical or graphical errors that may appear in this document.

# Express Solo Specifications

## Electrical

Input Voltage Rating	3-phase, 480Y VAC, 60 Hz 3-phase, 600Y VAC, 60 Hz		
Max Output Power, 480 VAC	200 kW	400 kW Paired: 500 kW	600 kW Paired: 750 kW
Max Output Power, 600 VAC	225 kW	450 kW	625 kW
Input Current Rating	480 V: 258 A 600 V: 232 A	480V: 515 A 600V: 463 A	480 V: 769 A 600 V: 641 A
Wiring	L1, L2, L3, Earth. N available for V2G functionality		
Short Circuit Current Rating	100 kA		
Output Voltage, Charging	100 to 1000 VDC		
J3400 (NACS) Output Current*	Option 1: 800 A with liquid cooled cable, 1000 A peak Option 2: 400 A, 600 A peak** Option 3: 400 ~ 500 A with Omni Port		
CCS1 Output Current*	Option 1: 800 A with liquid cooled cable, 1000 A peak Option 2: 400 A, 600 A peak** Option 3: 400 ~ 500 A with Omni Port		
Power Conversion Efficiency	Up to 97%		
Power Factor	0.99 at full load		
Harmonics	iTHD < 5% (Complies with IEEE 519)		
Standby Power	60W		
Bidirectional energy flow	Hardware ready		
Power Allocation Increments	50 ~ 125 kW		

\*Megawatt charging system (MCS) available upon request

\*\*Available with cut resistant cable

ChargePoint, Inc. reserves the right to alter product offerings and specifications at any time without notice, and is not responsible for typographical or graphical errors that may appear in this document.

## Functional Interfaces

LCD Display	Full color 381 mm (15 in) interactive display with full motion video, UV protection and multi-language support
Indicators	Multicolor status LEDs
Branding	Brandable front panel
Authentication	<p>RFID: ISO 15693, ISO 14443, NEMA EVSE 1.2-2015 (UR)</p> <p>Virtual RFID NFC (Tap to Charge)</p> <p>Contactless credit card</p> <p>Virtual contactless credit card Apple Pay &amp; Google Pay</p> <p>EMV chip credit card (available on -CHIP models only)</p> <p>Remote: Mobile App and in vehicle dash (If supported by vehicle) ISO 15118-2, Plug&amp;Charge, ISO 15118-20</p>

## Connectivity

Local Area Network	<p>2.4 GHz and 5 GHz WiFi (802.11 a/b/g/n/ac)</p> <p>Wired Ethernet up to 1 Gbps</p>
Wide Area Network	4G LTE
Supported Communication Protocols	OCPP 2.0.1
Service and Maintenance	Remote system monitoring, diagnostic, and proactive maintenance
Software Updates	Firmware updated over-the-air (OTA)

## Safety Ratings & Protocol

Vehicle Communication	ISO 15118-2, ISO 15118-3, DIN 70121, SAE J1772
Plug-Out Detection	SAE J2931 (CCS1)

ChargePoint, Inc. reserves the right to alter product offerings and specifications at any time without notice, and is not responsible for typographical or graphical errors that may appear in this document.

Safety and Compliance	Testing in progress Will be cUL and UL listed. Complies with UL 2202 NTEP, Energy Star RoHS
Station Surge Protection	Tested to IEC 6100-4-5, Level 5 (6 kV @ 3,000 A)
EMC Compliance	FCC part 15 Subpart B Class A

## Generic Specifications

Number of Connectors	Up to 2 connectors per station Up to 8 connectors with additional Power Link(s)
Supported Connector Types	CCS1 (SAE J1772™ Combo), NACS (SAE J3400)
Cable Length	Air and liquid cooled cable: 5.2 m (17 ft) Air cooled cable: 7.6 m (25 ft)
Cable Management	Optional
Station Enclosure Dimensions	See diagrams below
Station Enclosure Rating	Type 3R, IP55
Station Impact Rating	IK10
Mounting Type	Ground
Station Weight	Up to 1300 kg (2860 lb) with all modules installed
Storage Temperature	-40°C to 70°C (-40°F to 158°F)
Operating Temperature	-40°C to 55°C (-40°F to 131°F) with derating
Operational Altitude	3,000 m (9,800 ft) without derating, 4000 m (13,123 ft) with derating
Operating Humidity	Up to 95% at 50°C (122°F) non-condensing
Buy America	FTA, FHWA, BABA available upon request
Standard Warranty	Limited 2-Year Parts Warranty

ChargePoint, Inc. reserves the right to alter product offerings and specifications at any time without notice, and is not responsible for typographical or graphical errors that may appear in this document.

## Energy Management Features

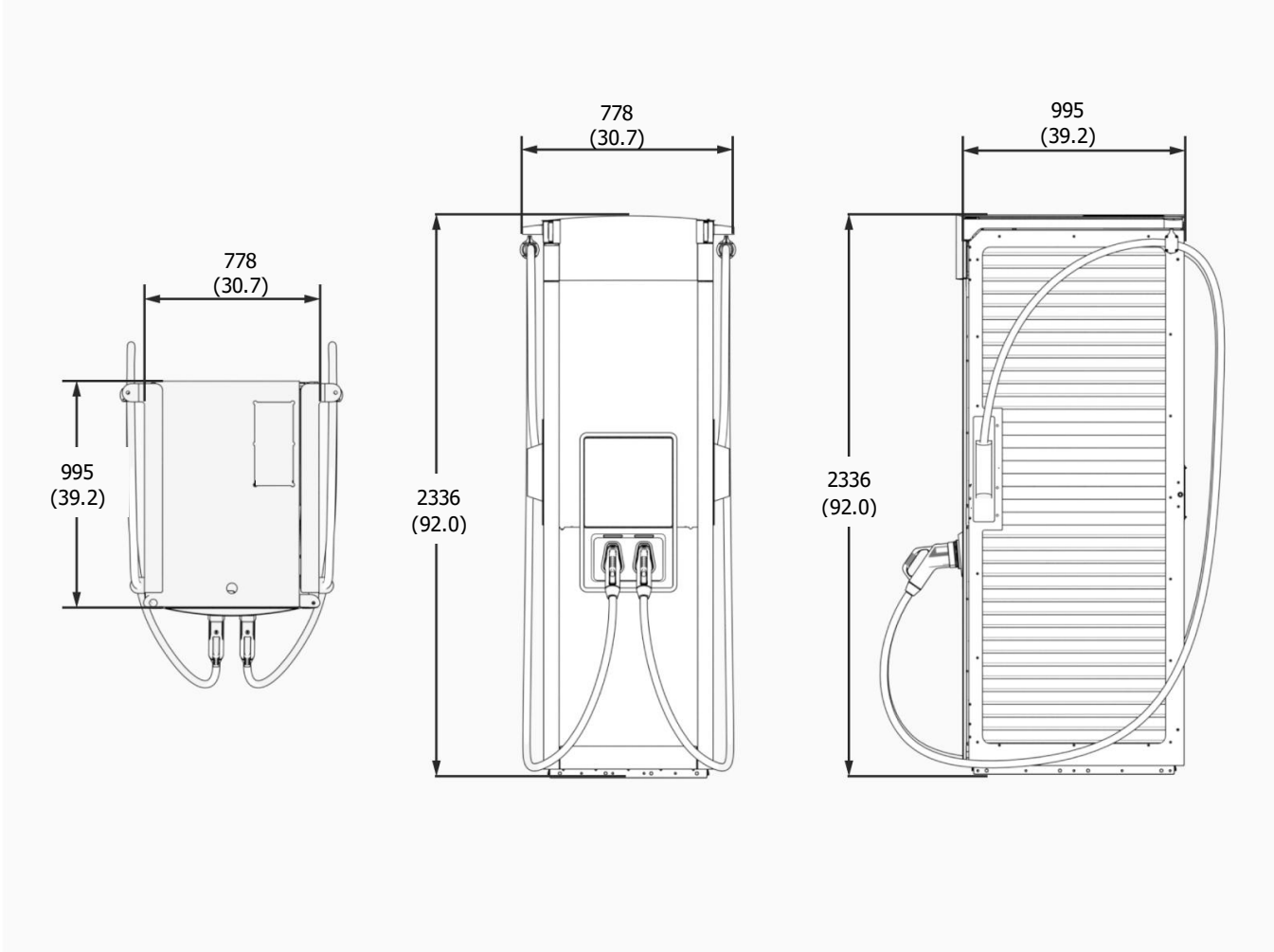
Dynamic Power Management	Allows a fixed maximum power output per station or lets the system dynamically manage the power distribution per station
Remote Energy Management	Manage output power via the ChargePoint Admin Portal, API, and Open ADR 2.0b VEN

---

ChargePoint, Inc. reserves the right to alter product offerings and specifications at any time without notice, and is not responsible for typographical or graphical errors that may appear in this document.

# Architectural Drawings

Note: Images are not to scale. Measurements appear in metric units (mm), followed by imperial equivalents (inches).  
W x D x H: 778 mm x 995 mm x 2336 mm, 30.2 in x 38.8 in x 92.0 in



ChargePoint, Inc. reserves the right to alter product offerings and specifications at any time without notice, and is not responsible for typographical or graphical errors that may appear in this document.

## Contact Us

ChargePoint, Inc.  
240 East Hacienda Avenue  
Campbell, CA 95008-6617 USA  
  
+1.408.841.4500 or  
+1.877.370.3802 US and Canada toll-free

Visit [chargepoint.com](https://chargepoint.com)  
Call +1.408.705.1992  
Email [sales@chargepoint.com](mailto:sales@chargepoint.com)

Copyright © 2026 ChargePoint, Inc. All rights reserved. CHARGEPOINT is a U.S. registered trademark/service mark, and an EU registered logo mark of ChargePoint, Inc. All other products or services mentioned are the trademarks, service marks, registered trademarks or registered service marks of their respective owners. Apr 2026



---

ChargePoint, Inc. reserves the right to alter product offerings and specifications at any time without notice, and is not responsible for typographical or graphical errors that may appear in this document.